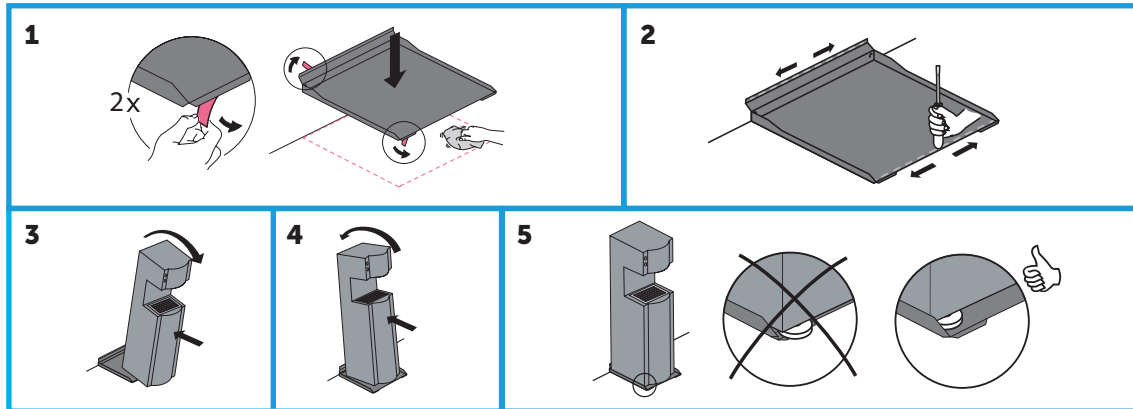


# Assembly Instructions Whitegoods underlay Water-connected Appliances



1. Wipe the floor clean and dry. Remove the two protective films.
2. For the tape to have maximum adhesion, press on top of the front and rear edge with a hard object along the entire edge.
3. Tilt the appliance towards you to move the rear wheel/leg of the appliance over the front of the water barrier and slide the appliance in.
4. Tilt the appliance away from you so that the appliance's front legs can be moved over the water barrier, slide the appliance in against the wall.
5. **NOTE!** Make sure the foot is inside the water barrier of the mat.



SCAN CODE FOR MORE INFO  
ABOUT THE PRODUCT.



Product	RSK	Item no.	Dimensions mm (WxH)	Colour
Whitegoods underlay free-standing 32 cm	8080924	3009002-05-020	320x410	Black
Whitegoods underlay free-standing 37 cm	8080969	22020902	370x470	Black
Whitegoods underlay free-standing 42 cm	8080968	22020901	425x620	Black
Whitegoods underlay free-standing 43 cm	8080971	22020903	435x585	Black
Whitegoods underlay free-standing 45 cm	8080925	3009004-05-020	450x520	Black
Whitegoods underlay free-standing 46 cm	8080972	22020904	465x590	Black
Whitegoods underlay free-standing 60 cm	8080973	22020905	600x670	Svart

**TOLLCO AB**  
Rubanksgatan 4, 741 71 Knivsta, Sweden  
Tel +46 18 34 9010. [info@tollco.se](mailto:info@tollco.se) [tollco.se](http://tollco.se)



Accepterad  
monteringsanvisning  
2021-1

**TOLLCO**  
Your protection against water damage

20211011