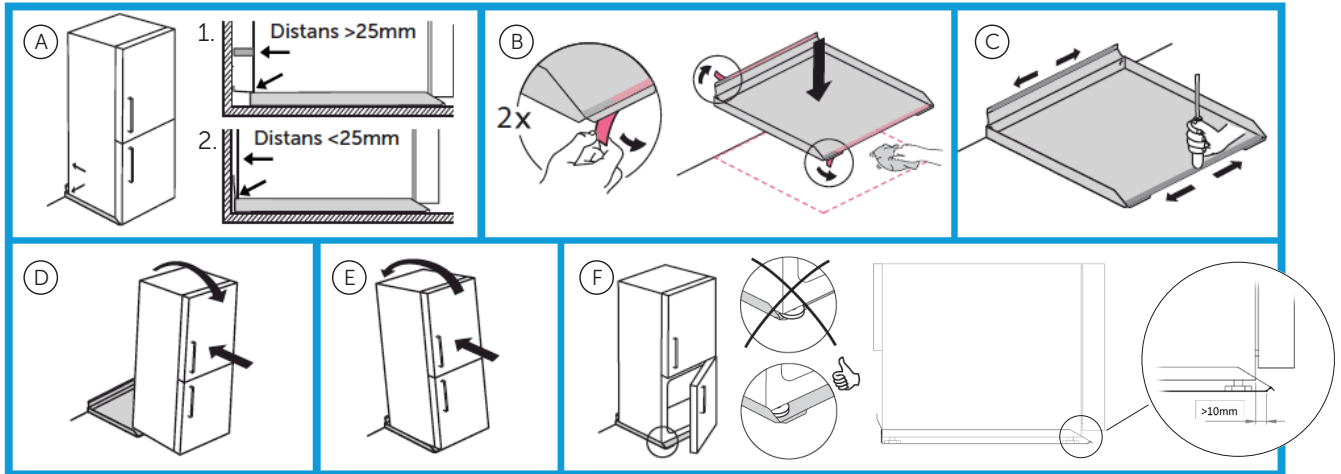


# Assembly Instructions Whitegoods underlay Fridge/Freezer Standard



## ASSEMBLY

### A. Position of the mat.

1. Without spacers: Slide the mat against the wall as far as possible.
2. With spacers: Move forward and adjust the distance max 40 mm from the wall.

### B. Important, wipe clean and dry. Remove the protective film from the tape.

### C. For the tape to have maximum adhesion, press on top of the front and rear edge with a hard object along the entire edge.

### D. Tilt the cabinet towards you to move the rear wheel/leg over the front of the water barrier, slide the cabinet in.

### E. Tilt the cabinet away from you so that the cabinet's front legs can be moved over the water barrier, slide the cabinet in against the wall.

### F. **NOTE!** Make sure the foot is inside the water barrier of the mat



Tgnr 0505/01

SCAN CODE FOR MORE INFO  
ABOUT THE PRODUCT.



### Product

Whitegoods underlay Fridge/Freezer Standard 56x53 cm  
Whitegoods underlay Fridge/Freezer Standard 60x60 cm  
Whitegoods underlay Fridge/Freezer Standard 60x62cm  
Whitegoods underlay Fridge/Freezer Standard 70x60 cm  
Whitegoods underlay Fridge/Freezer Standard 75x60 cm  
Whitegoods underlay Fridge/Freezer Standard 91x70 cm  
Whitegoods underlay Fridge/Freezer Standard 119x60 cm  
Whitegoods underlay Fridge/Freezer Standard 119x62cm

### RSK

8039032  
8080858  
8080974  
8080859  
8080964  
8080965  
8080860  
8080975

### Item no.

3003002-01-015  
3003005-01-020  
22020310  
3003007-01-010  
22020309  
22020308  
3003013-01-010  
22020311

### Dimensions (mm)

556x530x40  
596x600x40  
596x620x40  
696x600x40  
750x600x40  
912x700x40  
1190x600x40  
1190x620x40

## TOLLCO AB

Rubanksgatan 4, 741 71 Knivsta, Sweden  
Tel +46 18 34 90 10. [info@tollco.se](mailto:info@tollco.se) [tollco.se](http://tollco.se)

**TOLLCO**  
Your protection against water damage

20211015