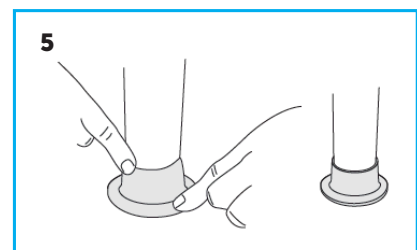
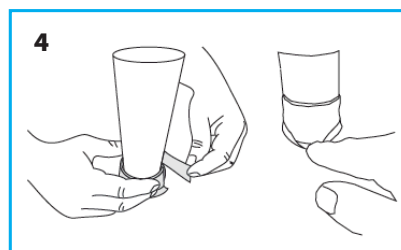
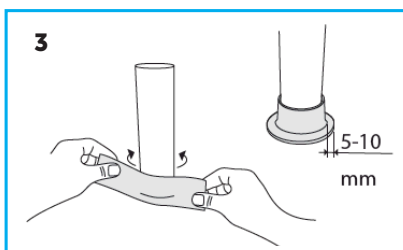
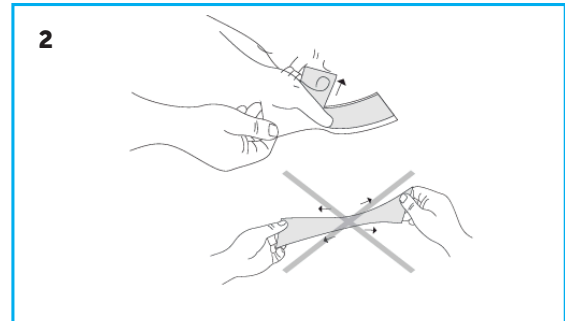
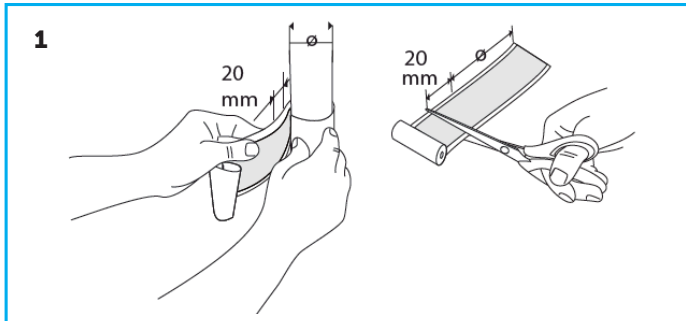


Assembly Instructions Tollco Sealing range

Single-sided Sealing Tape 30 meter



1. Measure and cut the white sealing tape so that it is 2 cm longer than the diameter of the pipe.
2. Detach the sealing tape from the protective film. Do not stretch the sealing tape.
3. Keep the sealing tape horizontal. Place the sealing tape against the floor (5–10 mm) and against the pipe.
4. Attach the sealing tape around the pipe, making sure it overlaps, and press on the joint to ensure a seal. Fold down and attach the sealing tape to the floor.
5. Make sure that the pipe penetration is sealed by pressing the seal against the pipe and floor.

SCAN CODE FOR MORE INFO
ABOUT THE PRODUCT.



Product	RSK	Item no.	Dimensions
Sealing range Single-sided Sealing Tape 30 meter	382 99 44	590023	L=30 m/W=40 mm/H=1,5 mm

TOLLCO AB
Rubanksgatan 4, 741 71 Knivsta, Sweden
Tel +46 18 34 9010. info@tollco.se tollco.se

TOLLCO
Your protection against water damage

20211013