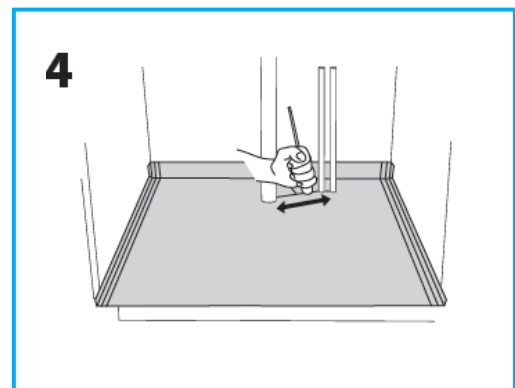
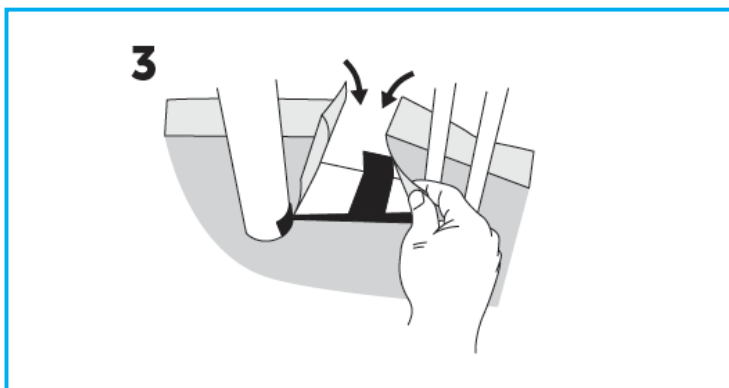
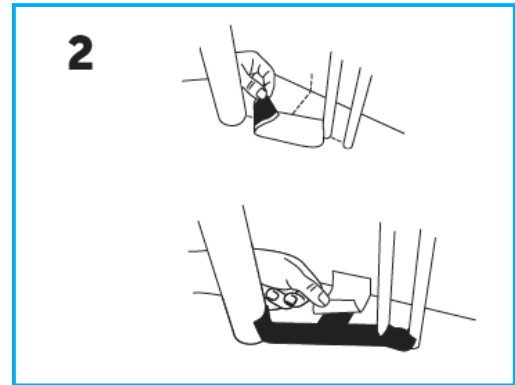
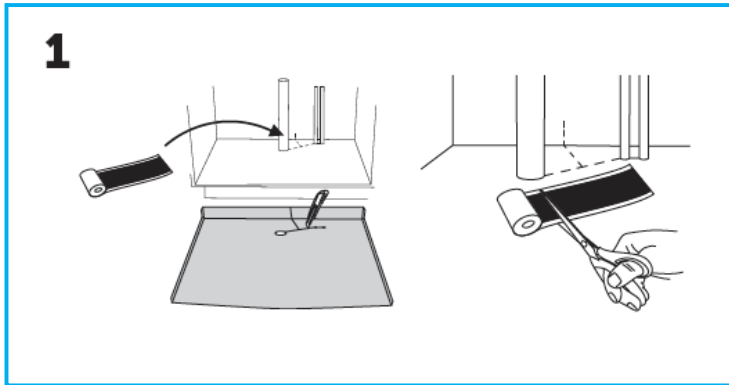


# Assembly Instructions Tollco Sealing range

## Double-sided Sealing Tape 30 meter



- 1.** If there are pipe penetrations, cut a slot through the cabinet insert. Measure and cut the sealing tape, which must be at least 3 cm longer than the slot.
- 2.** Carefully place and press the sealing tape firmly against the floor in the cabinet where the slot will be. Make sure the seal is attached about 15 mm up on the pipes. Remove the protective film.
- 3.** Carefully place the base cabinet insert into the cabinet and secure the insert against the sealing tape.
- 4.** Press on top and along the slot with a hard object.

SCAN CODE FOR MORE INFO  
ABOUT THE PRODUCT.



**Product**  
Sealing range Double-sided sealing tape 30 meter

**RSK**  
3829945

**Item no.**  
590029

**Dimensions**  
L=30 m/W=40 mm/H=1,5 mm

**TOLLCO AB**  
Rubanksgatan 4, 741 71 Knivsta, Sweden  
Tel +46 18 34 90 10. [info@tollco.se](mailto:info@tollco.se) [tollco.se](http://tollco.se)

**TOLLCO**  
Your protection against water damage

20211013