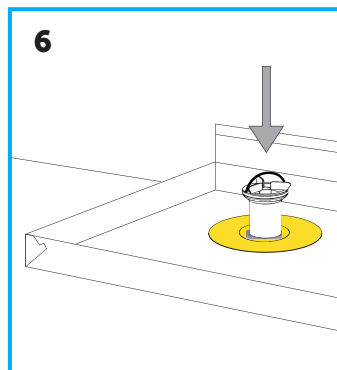
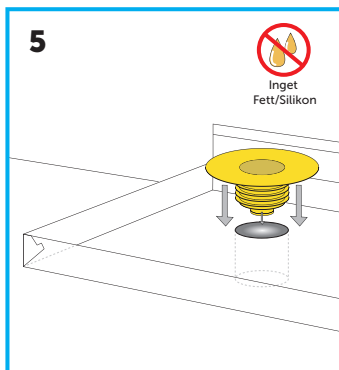
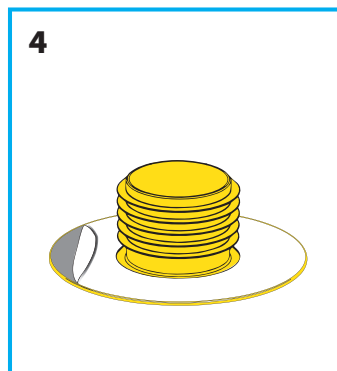
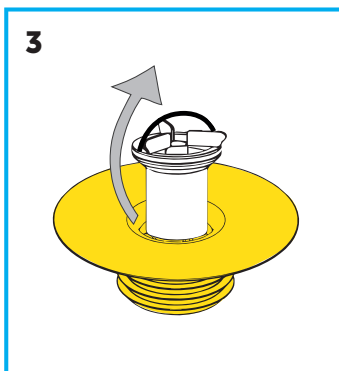
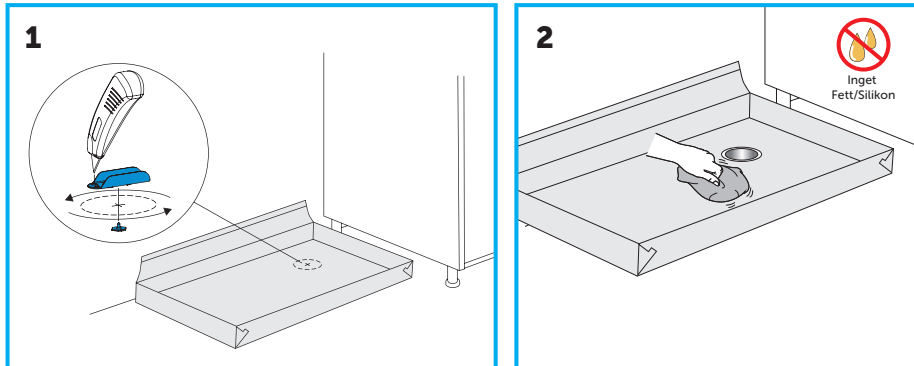


# Assembly Instructions Accessories for Wet Zone

## Flood protection kitchen with check valve



### ASSEMBLY

1. Mark the centre (for the drain pipe) on the floor protector. Unscrew the spike from the hole punching tool. Place the tip of the spike against the centre marking on the underside of the floor protector. Press down on the floor protector until the spike penetrates through the plastic. Select hole size 92 mm and place the hole punching tool over the spike. Place a utility knife in the gap on the hole tool and cut out a round hole.
2. Wipe clean of dust and grease around the hole in the floor protector.
3. Remove the valve from the flood protection.
4. Peel off the protective film from the tape. **NOTE!** No grease/lubricant may come into contact with the tape.
5. Press the flood protection down into the drain pipe so that it is level with the bottom of the floor protector. Make sure that the seal is attached all the way around and is waterproof. **NOTE!** No grease/lubricant may be used on the floor protector.
6. Push the valve back into the flood protection. Press with your hand around the entire yellow surface to ensure that the seal has attached to the floor protector. Check that the installation is tight.

**NOTE!** If the washing machine is placed on a floor protector with flood protection, there should be a water alarm or a moisture sensor connected to a leakage or water circuit breaker in accordance with the Safe Water Installation Industry Rules (Branschregler Säker Vatteninstallation) 2021:1 Chap. 4.2.4.

SCAN CODE FOR MORE INFO ABOUT THE PRODUCT.



#### Product

Tollco Accessories for Wet Zone Flood protection kitchen with check valve

#### RSK

712 95 09

#### Item no.

3800001-09-001

### TOLLCO AB

Rubanksgatan 4, 741 71 Knivsta, Sweden  
Tel +46 18 34 90 10. [info@tollco.se](mailto:info@tollco.se) [tollco.se](http://tollco.se)



Accepterad  
monteringsanvisning  
2021:1

# TOLLCO

Your protection against water damage

20211012